

ASIA E-cots Pte Ltd

Asia Ecots

LEADFRAME SUBSTRATE LOADER & UNLOADER for semiconductor packagi

Price per Unit (piece): [Call for Pricing](#)



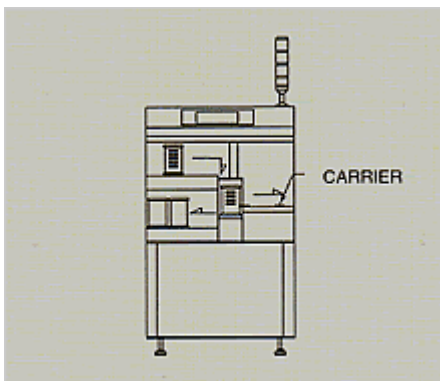
[LEADFRAME SUBSTRATE LOADER & UNLOADER for semiconductor packaging industries](#)

EBL-200n & EBL-200N

Features

Able to link with other systems Applicable to 3 inch & 4 inch magazine size SMEMA interface

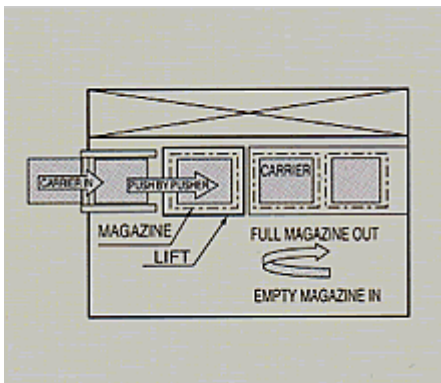
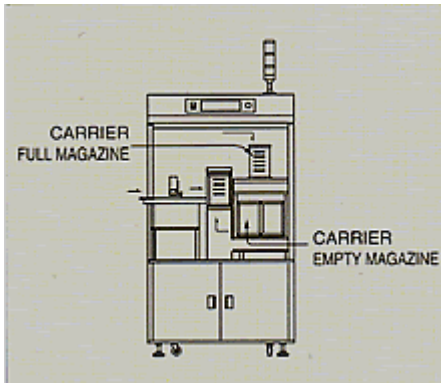
EBL-200N Operating



EBL-200N Top View Layout

EBU-200N Operating

EBU-200N Top View Layout



Inside View

MODEL	RACK	MAGAZINE DIMENSION(L×W×H)	CARRIER SIZE (L×W)	DIMENSION(L×W×H)	WEIGHT(Kg)	AIR	POWER
EBL-200N &EBU-200N	Upper-3	Size 1 : 81.75 × 94 × 140	Size 1 : 75 × 78.75	800 × 580 × 1380	160	5 Kg/cm ²	AC220V 50-60 Hz 1 Phase
	Lower-3	Size 2 : 108 × 118 × 140	Size 2 : 101.6 × 101.6				

[Vendor Information](#)

Customer Reviews: There are yet no reviews for this product.
Please log in to write a review.